

# **FREElift Online Configurator**

Instructions & hints



## FREElift configurator



home > range of products > dimensions > result >

FREElift configurator  
start now...



### FREElift infomaterial

Here you'll find the latest product brochures, mounting instructions, etc. to download.



### FREElift videos

Here you'll find the latest product and assembly videos.



### FREElift contact

For questions concerning our products do not hesitate to contact us.

Start the configurator by clicking somewhere into the picture

Here you will find mounting instructions, drilling templates and the latest brochure

### CAUTION:

Please care for the scale if you print the templates and check the measures on the printed sheet with a measure device!

Currently only image video available. Mounting videos are in process and will be published here soon



# FREElift configurator



home > range of products > dimensions > additional functions > result >

choose product type

**click**

**click**

**FREEfold**

**FREEflap**

**click**

**FREESlide**

**click**

**FREESwing**

✕ reset

**click**

next >>

## Choice of opening type:

- FREEfold
- FREESlide
- FREESwing
- FREEflap

Changes to green when ready to proceed



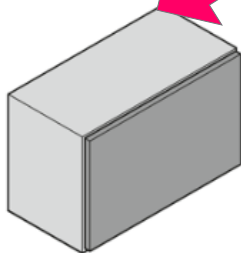
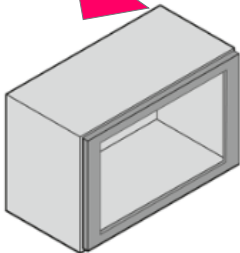
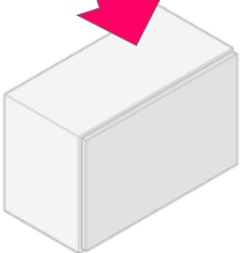
# FREElift configurator



home > range of products > dimensions > additional functions > result >

Produkttyp: FREEswing

choose front panel type

 <p><b>Full front</b></p>	 <p><b>Frame front</b></p>	 <p><b>Front weight is known</b></p>
---	--	--

✕ reset

« previous next »

## Choice of front type:

„Full front“ & „Frame front“:

Front weight is calculated by panel dimensions and average density values of the chosen materials

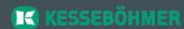
„Front weight is known“:

Panel dimensions are needed e.g. to calculate the length of torsion bars (FREEslide & swing) and to determine if the cabinet is within the max width; weight is to be typed in



Changes to green when ready to proceed

# FREElift configurator



## Query of front parametres

home > range of products > dimensions > additional functions > result >

Produkttyp: FREEwing

choose front panel type

Full front

Frame front

Front weight is known

front panel dimensions

front panel height (H):  mm

front panel width (W):  mm

front panel thickness (T):  mm

material

- flake
- wood
- MDF
- plexiglas

front panel weight

Solid front panel weight calculated based on your input:  kg

Front panel dimensions

Choice of material

Front weight calculated by dimensions & material density values

Changes to green when ready to proceed





# FREElift configurator

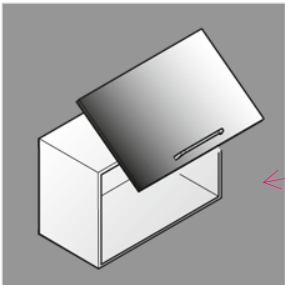


## Query of additional options

home > range of products > dimensions > **additional functions** > result

Produkttyp: FREEswing

### additional functions in option



**FREEswing:** Standard  
without additional function

Choice of additional options if available (push to open, eTouch...); if not available or not demanded choose „without additional function“

Return to choice of opening type

✕ reset

« previous **next** »



Changes to green when ready to proceed

# FREElift configurator



## Result list

home > range of products > dimensions > additional functions > result

Produkttyp: FREEswing carcass height: 500 mm carcass width: 900 mm front panel weight: 7,2 kg

recommendation for FREEswing | finish solid front panel

Kesseböhmer article number	type	carcase height	front panel weight	items per unit	description/content
271927	S5sw	500 - 900 mm	4,5 - 10 kg	1 Set	1 x fitting RIGHT 1 x fitting LEFT 2 x front panel connection, screwable 2 x sleeves mounting/ adjustment instruction (4029090000) drill template (4029110000)

S5sw

Return to choice of opening type

adapted accessories

Kesseböhmer article number	items per unit	description/content
271687	10 set	Adapter for 20 mm aluminium frame

Resetting all values and starting new

Kesseböhmer article number	items per unit	description/content
271820	1 Satz	1 x dress cover RIGHT 1 x dress cover LEFT  WITH FREEIR-LOGO & EMBOSSED "K"

Returning to the previous step

Kesseböhmer article number	items per unit	description/content
271920	1 piece	1 x Connecting rod cupboard width: 900er length: 774 mm

reset previous



## FREElift configurator



home > range of products > dimensions > additional functions > result

Product type: FREEfold carcass height: 720 mm carcass width: 900 mm front panel weight: 9,85 kg

### recommendation for FREEfold | finish solid front panel

Kesseböhmer article number	type	carcase height	front panel weight	items per unit	description/content
271680	G5fo	710 - 790 mm	8,7 - 17,2 kg	1 Set	1 x fitting RIGHT 1 x fitting LEFT 2 x front panel connection, screwable mounting/adjustment instruction (4029090000) drill template (4029090000)

**G5fo**

### alternative to FREEfold | finish solid front panel

Kesseböhmer article number	type	carcase height	front panel weight	items per unit	description/content
271679	G4fo	710 - 790 mm	5,2 - 10,3 kg	1 Set	1 x fitting RIGHT 1 x fitting LEFT 2 x front panel connection, screwable mounting/adjustment instruction (4029090000) drill template (4029090000)

**G4fo**

Kesseböhmer article number	type	carcase height	front panel weight	items per unit	description/content
271676	F5fo	650 - 730 mm	9,5 - 18,7 kg	1 Set	1 x fitting RIGHT 1 x fitting LEFT 2 x front panel connection, screwable mounting/adjustment instruction (4029090000) drill template (4029090000)

**F5fo**

Kesseböhmer article number	type	carcase height	front panel weight	items per unit	description/content
271675	F4fo	650 - 730 mm	5,8 - 11,6 kg	1 Set	1 x fitting RIGHT 1 x fitting LEFT 2 x front panel connection, screwable mounting/adjustment instruction (4029090000) drill template (4029090000)

**F4fo**

## Result list – more than one result

Recommendation with focus on optimal performance;  
The weight of the chosen front panel will hit approximately the centre of this power range

Alternative options that will also work (number can vary);  
The weight of the chosen frontpanel will be within these power ranges but maybe not in the centre;  
Gives you the opportunity to choose a typology, you may already have in your assortment in order to reduce the number of different articles in your stock,